

## OPX Technical Data Horizontal Order Picker

---

[OPX 20/Li-Ion](#)

[OPX 25/Li-Ion](#)

[OPX 20 Plus/Li-Ion](#)

[OPX 25 Plus/Li-Ion](#)

[OPX-D 20/Li-Ion](#)

[OPX-L 20/Li-Ion](#)

[OPX-L 20 S/Li-Ion](#)

[OPX-L 12/Li-Ion](#)

[OPX-L 16/Li-Ion](#)





Distinguishing marks	1.1		STILL	STILL	STILL	STILL	STILL	STILL	STILL	STILL	STILL	STILL		
	Manufacturer	Manufacturer's type designation	OPX 20/Li-Ion	OPX 25/Li-Ion	OPX 20 Plus/Li-Ion	OPX 25 Plus/Li-Ion	OPX-D 20/Li-Ion	OPX-L 20/Li-Ion	OPX-L 20 S/Li-Ion	OPX-L 12/Li-Ion	OPX-L 16/Li-Ion			
Distinguishing marks	1.2	Drive	Electric	Electric	Electric	Electric	Electric	Electric	Electric	Electric	Electric			
	1.3	Operation	Stand-on	Stand-on	Stand-on	Stand-on	Stand-on	Stand-on	Stand-on	Stand-on	Stand-on			
	1.4	Load capacity/load	Q	kg	2000	2500	2000	2500	1000/1000 (2000)	1000/1000 (2000)	2000	1200	1600	
	1.5	Load centre distance	c	mm	1200	1200	1200	1200	600	1248/600 for mast stroke <sup>1</sup>	1200	600	1200	
	1.6	Load distance	x	mm	1615 <sup>2</sup>	1615 <sup>2</sup>	1615 <sup>2</sup>	1615 <sup>2</sup>	944/816 <sup>3</sup>	1910/1782 <sup>3</sup>	1474/1308 <sup>3</sup>	670	1093	
	1.8	Wheelbase	y	mm	2717 <sup>2</sup>	2717 <sup>2</sup>	2720 <sup>2</sup>	2720 <sup>2</sup>	2260/2132 <sup>3</sup>	3225/3097 <sup>3</sup>	2661/2497 <sup>3</sup>	1823	2279	
Weights	2.1	Dead weight including battery		kg	1178 <sup>2</sup>	1203 <sup>2</sup>	1218 <sup>2</sup>	1243 <sup>2</sup>	1527	1567	1456	1308	1585	
	2.2	Axle load with load	front/rear	kg	1120/2058	1188/2515	1236/1982	1322/2421	1247/2280	1539/2028	1140/2316	920/1588	944/2241	
	2.3	Axle load without load	front/rear	kg	897/281	906/297	933/285	942/301	1063/464	1170/397	1020/436	875/433	1041/544	
Tyres/chassis	3.1	Tyres			Polyurethane	Polyurethane	Polyurethane	Polyurethane	Polyurethane	Polyurethane	Polyurethane	Polyurethane	Polyurethane	
	3.2	Tyre size	front	mm	254 x 102	254 x 102	254 x 102	254 x 102	254 x 102	254 x 102	254 x 102	254 x 102	254 x 102	
	3.3	Tyre size	rear	mm	85 x 100	85 x 80	85 x 80	85 x 80	85 x 60	85 x 80	85 x 80	85 x 80	85 x 80	
	3.4	Additional wheels (dimensions)		mm	150 x 50	150 x 50	110 x 60	110 x 60	150 x 50	150 x 50	150 x 50	150 x 50	150 x 50	
	3.5	Number of wheels (x = driven)	front/rear			1x - 1/2	1x - 1/4	1x - 2/4	1x - 2/4	1x - 1/4	1x - 1/4	1x - 1/4	1x - 1/4	
	3.6	Track width	front	b <sub>10</sub>	mm	483	483	547	547	483	483	483	483	
Basic dimensions	3.7	Track width	rear	b <sub>11</sub>	mm	348 (368/388/498)	348 (368/388/498)	348 (368/388/498)	348 (368/388/498)	380	370	368	(348) 388	375
	4.2	Height	retracted	h <sub>1</sub>	mm	-	-	-	-	See mast table	See mast table	1375 <sup>4</sup>	1375 <sup>4</sup>	1665 <sup>4</sup>
	4.3	Free lift		h <sub>2</sub>	mm	-	-	-	-	See mast table	See mast table	-	-	-
	4.4	Lift		h <sub>3</sub>	mm	-	-	-	-	1580	800	700	700	700
	4.5	Height	extended	h <sub>4</sub>	mm	-	-	-	-	See mast table	See mast table	2075 <sup>4</sup>	2075 <sup>4</sup>	2365 <sup>4</sup>
	4.6	Initial lift		h <sub>5</sub>	mm	130	130	130	130	130	130	-	-	-
	4.8	Stand height		h <sub>7</sub>	mm	130 <sup>5</sup>	130 <sup>5</sup>	130 <sup>5</sup>	130 <sup>5</sup>	130 <sup>5</sup>	130 <sup>5</sup>	130 <sup>5</sup>	130 <sup>5</sup>	130 <sup>5</sup>
	4.9	Height STILL Easy Drive steering wheel in driving position	min./max.	h <sub>14</sub>	mm	1250 <sup>6</sup>	1250 <sup>6</sup>	1250 <sup>6</sup>	1250 <sup>6</sup>	1250 <sup>6</sup>	1250 <sup>6</sup>	1250 <sup>6</sup>	1250 <sup>6</sup>	1250 <sup>6</sup>
	4.10	Height support arms		h <sub>8</sub>	mm	-	-	-	-	85	85	-	-	-
	4.14	Height, extended	with raisable driver's station	h <sub>12</sub>	mm	1197	1197	-	-	1197	1197	1197	1197	1197
	4.15	Fork height, lowered		h <sub>13</sub>	mm	85	85	85	85	91	91	85	86	90
	4.17	Overhang length		l <sub>5</sub>	mm	-	-	-	-	-	-	-	-	-
	4.19	Overall length		l <sub>1</sub>	mm	3680	3680	3680	3680	2653	4005	3764	2532	3763
	4.20	Length including forks		l <sub>2</sub>	mm	1290	1290	1290	1290	1503	1503	1374	1342	1373
	4.21	Overall width		b <sub>1</sub>	mm	800	800	800	800	800	800	800	800	800
	4.22	Fork arm dimensions		s/e/l	mm	61/172/2390	61/172/2390	61/172/2390	61/172/2390	55/180/1150	60/200/1295	75/172/2390	55/172/1190	70/190/2390
	4.24	Fork carriage width		b <sub>3</sub>	mm	-	-	-	-	711	711	792 <sup>4</sup>	796 <sup>4</sup>	796 <sup>4</sup>
	4.25	External fork width		b <sub>5</sub>	mm	520 (540/560/670)	520 (540/560/670)	520 (540/560/670)	520 (540/560/670)	560	570	540	(520) 560	570
	4.31	Ground clearance, loaded, beneath the mast		m <sub>1</sub>	mm	-	-	-	-	19/143 <sup>3</sup>	13/100 <sup>3</sup>	-	-	-
	4.32	Ground clearance centre wheel base		m <sub>2</sub>	mm	24/154 <sup>3</sup>	24/154 <sup>3</sup>	24/154 <sup>3</sup>	24/154 <sup>3</sup>	25/155 <sup>3</sup>	25/155 <sup>3</sup>	50	30	30
4.34.1	Working aisle width with pallet 1000 x 1200 crossways	raised	A <sub>st</sub>	mm	See additional dimensions	See additional dimensions	See additional dimensions	See additional dimensions	-	-	-	-	-	
4.34.2	Working aisle width for pallet 800 x 1200 crossways	raised	A <sub>st</sub>	mm	See additional dimensions	See additional dimensions	See additional dimensions	See additional dimensions	-	-	-	-	-	
4.34.3	Working aisle width for pallet 800 x l <sub>6</sub> lengthways	raised	A <sub>st</sub>	mm	See additional dimensions	See additional dimensions	See additional dimensions	See additional dimensions	3067 <sup>3</sup>	See mast table	4036	2871	4026	
4.35	Turning radius		W <sub>a</sub>	mm	2893 <sup>2</sup> /2786 <sup>2,3</sup>	2893 <sup>2</sup> /2786 <sup>2,3</sup>	2893 <sup>2</sup> /2786 <sup>2,3</sup>	2893 <sup>2</sup> /2786 <sup>2,3</sup>	2440/2313 <sup>3</sup>	3399/3271 <sup>3</sup>	2838/2675 <sup>3</sup>	2007	2459	
Performance data	5.1	Driving speed	with/without load	km/h	9/12	9/12	11/14	11/14	9/12	9/12	9/12	9/12	9/12	
	5.1.1	Driving speed, backwards	with/without load	km/h	8/11	8/11	8/11	8/11	8/11	8/11	8/11	8/11	8/11	
	5.2	Lifting speed	with/without load	m/s	0.070/0.111	0.064/0.089	0.070/0.111	0.064/0.089	0.15/0.25	0.159/0.253	0.095/0.176	0.135/0.218	0.102/0.178	
	5.3	Lowering speed	with/without load	m/s	0.084/0.067	0.068/0.066	0.084/0.067	0.068/0.066	0.19/0.25	0.218/0.240	0.13/0.13	0.130/0.122	0.123/0.123	
	5.8	Maximum gradeability	with/without load	%										
	5.9	Acceleration time to 10 m	with/without load	s	6.1/4.8	6.4/4.8	6.1/4.8	6.2/4.8	6.6/5.3	6.5/5.3	6.8/5.4	5.8/4.9	6.4/5.3	
Electric engine	5.10	Service brake			Electromagnetic	Electromagnetic	Electromagnetic	Electromagnetic	Electromagnetic	Electromagnetic	Electromagnetic	Electromagnetic	Electromagnetic	
	6.1	Drive motor, power S2 = 60 min		kW	3	3	3	3	3	3	3	3	3	
	6.2	Lift motor, power at S3		kW	2,2/5%	2,2/5%	2,2/5%	2,2/5%	2,2/5%	2,2/5%	2,2/5%	2,2/5%	2,2/5%	
	6.4	Battery voltage/nominal capacity K <sub>s</sub>		V/Ah	24/345 - 465	24/345 - 465	24/345 - 465	24/345 - 465	24/345 - 465	24/345 - 465	24/345 - 465	24/345 - 465	24/345 - 465	
	6.5	Battery weight ±5%		kg	402	402	402	402	402	402	402	402	402	
	6.6	Energy consumption according to VDI cycle		kWh/h	0.46	0.52	0.46	0.52	0.53	0.52	0.83	0.54	0.72	
Misc.	8.1	Type of driving control			AC control	AC control	AC control	AC control	AC control	AC control	AC control	AC control	AC control	
	10.7	Sound pressure level (driver's ear)		dB(A)	<70	<70	<70	<70	<70	<70	<70	<70	<70	

<sup>1</sup> With pallet holder 1365/765 mm

<sup>2</sup> With fork length 2390 mm/x = 1615 mm/traction rods; please see the table for more values

<sup>3</sup> Forks or initial lift raised

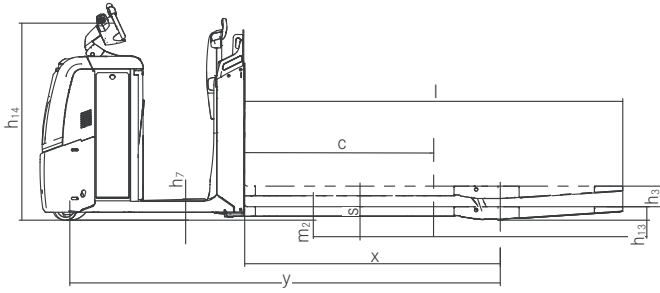
<sup>4</sup> With load guard (1290 mm height above the forks for OPX-L 20 S and OPX-L 12, 1575 mm for OPX-L 16)

<sup>5</sup> With raisable driver's station h<sub>7</sub> +30 mm; h<sub>14</sub> +87 mm

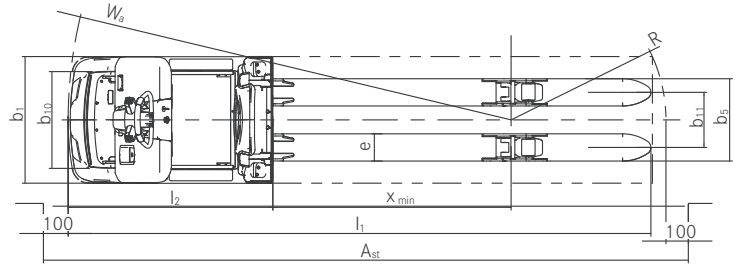
<sup>6</sup> With raisable driver's station +87 mm; with adjustable steering wheel, h<sub>14</sub> adjustment range = +89 mm -19 mm

# OPX Horizontal Order Picker Technical Drawings

## OPX 20/25/OPX 20 Plus/OPX 25 Plus



Side view

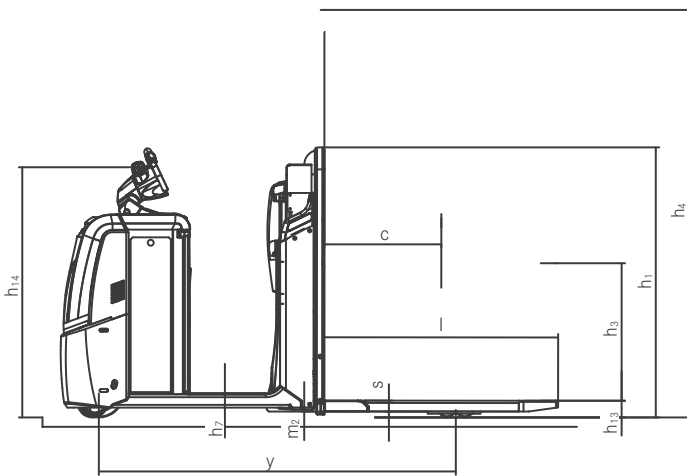


Top view

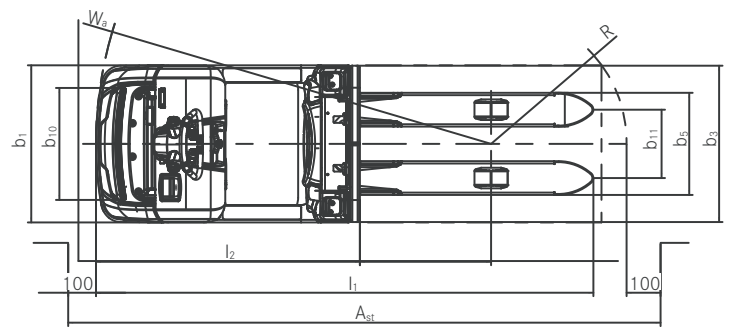
OPX 20/25/20 Plus/25 Plus fork overview								
	l	c	x <sup>a</sup>	y <sup>a, b, c</sup>	l <sub>1</sub> <sup>b</sup>	Wa <sup>b, d</sup>	A <sub>st</sub> <sup>b, d</sup>	Condition for working width A <sub>st</sub>
	mm	mm	mm	mm	mm	mm	mm	
Pressure rod	990	500	805	1907	2870	2034	2885	1 pallet 1000 x 1200 crossways
	1190	600	1005	2107	3070	2231	2904	1 pallet 800 x 1200 lengthways
	1450	750	1265	2367	3330	2489	3184	Pallet 800 x l <sub>e</sub> lengthways (l <sub>e</sub> = 2 x c)
	1650	850	1465	2567	3530	2688	3383	Pallet 800 x l <sub>e</sub> lengthways (l <sub>e</sub> = 2 x c)
	1650	850	1105	2207	3170	2330	3295	Pallet 800 x l <sub>e</sub> lengthways (l <sub>e</sub> = 2 x c)
	1800	900	1615	2717	3680	2837	3505	Pallet 800 x l <sub>e</sub> lengthways (l <sub>e</sub> = 2 x c)
	2150	1100	1605	2707	3670	2827	3792	Pallet 800 x l <sub>e</sub> lengthways (l <sub>e</sub> = 2 x c)
	2150	1100	1375	2477	3440	2598	3766	Pallet 800 x l <sub>e</sub> lengthways (l <sub>e</sub> = 2 x c)
	2390 <sup>e</sup>	1200	1845	2947	3910	3065	4122	3 pallets 800 x 1200 crossways
Traction rod	2390 <sup>f</sup>	1200	1615	2717	3680	2837	3969	2 pallets 800 x 1200 lengthways
	2390	1200	1845	2947	3910	3015	4109	3 pallets 800 x 1200 crossways
	2390	1200	1615	2717	3680	2786	3964	2 pallets 800 x 1200 lengthways
	2900	1500	2125	3227	4190	3293	4554	Pallet 800 x l <sub>e</sub> lengthways (l <sub>e</sub> = 2 x c)
	3100	1600	2125	3227	4190	3293	4819	4 pallets 800 x 1200 crossways

- <sup>a</sup> With lowered forks; with fully raised forks and pressure rod -57 mm; for traction rod -108 mm
- <sup>b</sup> With battery tray 54 or Li-Ion +114 mm
- <sup>c</sup> For OPX 20 Plus and OPX 25 Plus +3 mm
- <sup>d</sup> With fully raised forks; with lowered forks W<sub>a</sub> for pressure rods +57 mm, W<sub>a</sub> for traction rod +108 mm
- <sup>e</sup> Long wheel base suitable for accommodating up to 3 Euro-pallets crossways
- <sup>f</sup> Short wheel base suitable for up to 2 Euro-pallets lengthways

## OPX-L 12



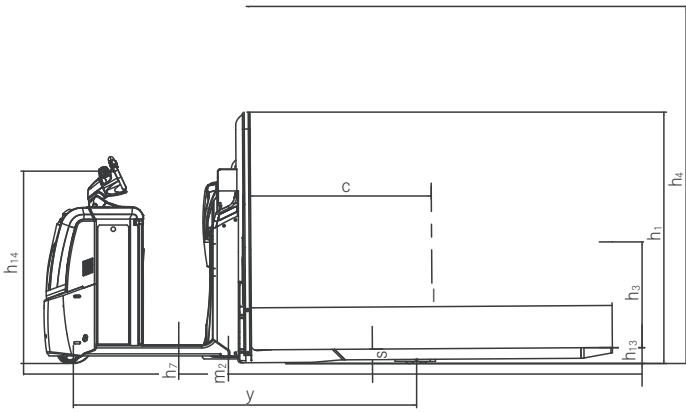
Side view



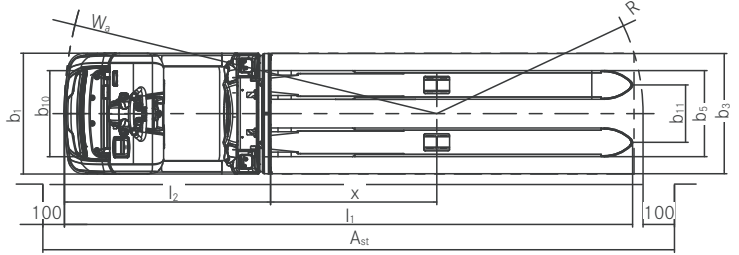
Top view

OPX Horizontal Order Picker  
 Technical Drawings

OPX-L 16

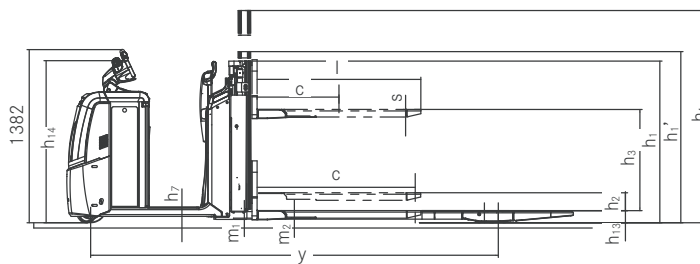


Side view

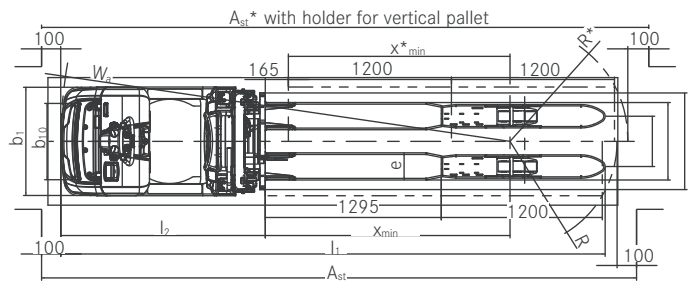


Top view

OPX-L 20



Side view



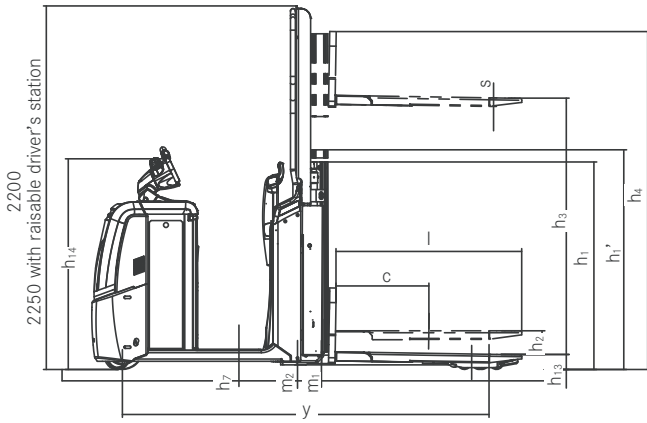
Top view

**OPX-L 20 Aisle width (with raised support arms)**

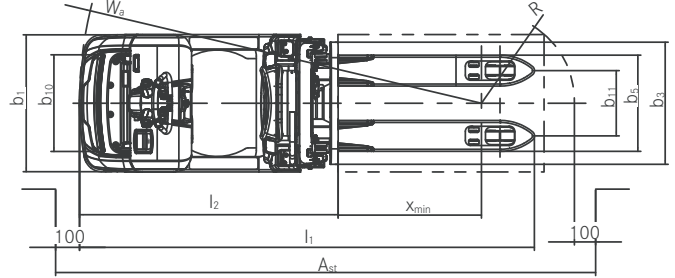
Fork length	Value with raised pallet	Length support arms	x	W <sub>s</sub>	A <sub>st</sub>	Condition for working width A <sub>st</sub>
mm	mm	mm	mm	mm	mm	
1295	-	1207	1782	3271	4289	Suitable for holding 2 Euro-pallets lengthways
1295	165	1137	1617	3271	4350	Suitable for holding 2 Euro-pallets lengthways

# OPX Horizontal Order Picker Technical Drawings

## OPX-D 20



Side view



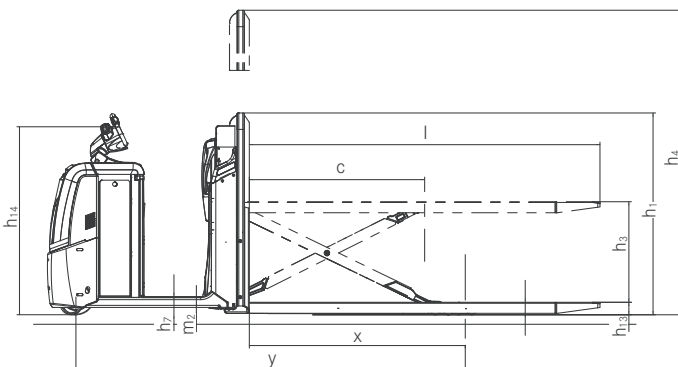
Top view

OPX-D 20/OPX-L 20 Mast table			OPX-D 20	OPX-L 20
Mast			Telescope	Telescope
Height mast, retracted		$h_1$	mm 1276	1276
Height when initial lift is used		$h_1'$	mm 1351	1351
Initial lift <sup>a</sup>		$h_2$	mm 150	150
Lift height		$h_3$	mm 1580 <sup>b</sup>	800
Height mast, extended		$h_4$	mm 2066	1676
Height, mast retracted	Standard		mm 2200	1382
	With raisable driver's station, lowered <sup>b</sup>		mm 2250	2250
	With pallet holder <sup>b</sup>		mm -	2200
Height, mast extended	Standard		mm 2200	1676
	With raisable driver's station, lowered <sup>b</sup>		mm 2250	2250
	With pallet holder <sup>b</sup>		mm -	2334

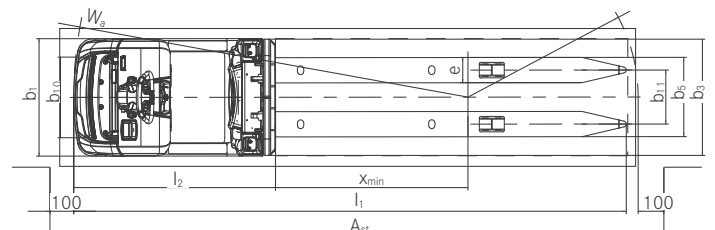
<sup>a</sup> With increased height  $h_1'$

<sup>b</sup> With finger guard on the accessory bracket, load side, high

## OPX-L 20 S



Side view



Top view

## OPX Horizontal Order Picker Thrillingly dynamic

---

### OPX 20/25

High handling performance thanks to load capacity of up to 2,500 kg

Simultaneous steering, lifting and driving without changing grip using the STILL EASY Drive steering wheel

High availability due to optionally available lateral battery change and Li-Ion technology



Be it retail trade, automotive or food industry: the STILL OPX Horizontal Order Picker with a load capacity of up to 2.5 tonnes is an innovative all-rounder. Its versatility makes it the optimal vehicle for every application profile. Ever efficient, reliable and inspiring in its dynamic virtues. The operating concept represents the biggest evolutionary steps since the invention of the wheel: Try the height-adjustable STILL EASY Drive steering wheel with an integrated display. You will have never driven a vehicle more intuitively or manoeuvred a 12 km/h fast Horizontal Order Picker more comfortably as well as precisely - all of this without changing grip.

If desired, the OPX can literally propel you, too - with the optionally available raisable driver's station. This not only raises the cabin to a picking height of 2.80 m, but the EASY Drive steering wheel rising as well. This means you can manoeuvre the vehicle at this level and directly move to the next picking station, saving valuable time. Battery capacities of up to 620 Ah allow for an extensive range. All models are also available with Li-Ion drive: this means that short interim charging breaks allow for 24-hour operational readiness.

### OPX 20/25 Plus

High handling performance thanks to outstanding driving dynamics

Unlimited robustness thanks to solid build and metal covers

Outstanding ergonomics thanks to optional pneumatically-damped driver's station and adjustable EASY Drive steering wheel



Are you looking for a particularly fast Horizontal Order Picker boasting the best driving dynamics available in the market? The STILL OPX 20/25 Plus means you have found exactly that. Move loads of up to 2.5 tonnes at top speeds of up to 14 km/h through your storage aisles with absolute precision. The exceptional suspension with five wheels makes for an unrivalled driving experience. Smooth and safe cornering is guaranteed by the Curve Speed Control assistance system: depending upon steering angle the system automatically reduces

speed to maximise cornering with guaranteed safety! The optional air-sprung driver's station is a distinct and strong asset during long working periods. The damping can be adjusted individually to match the driver's weight, offering the best human vibration values in its class. Naturally, the OPX 20/25 Plus also features the innovative STILL EASY Drive steering wheel as standard for utmost in intuitiveness and easy operation.

## OPX Horizontal Order Picker

### Thrillingly dynamic

---

#### OPX-L 12

High load capacity of up to 1,200 kg for heavy loads

Ideal for even the narrowest aisles thanks to compact vehicle dimensions

Maximised operator safety and low-impact transport thanks to the raising of the load guard mast lift actuation



Power, ergonomics and manoeuvrability are the hallmarks of the OPX-L 12: Thanks to its mast picked goods of up to a total weight of 1,200 kg can be lifted to a working height of up to 786 mm – back-friendly ergonomics as standard. The optional auto lift function provides even more benefits and comfort: the vehicle automatically raises and

lowers the pallet to a fixed height, depending on loading conditions. You benefit from having the optimum order picking height at all times. The lift function allows pallets to be stacked lengthwise. In combination with the high manoeuvrability, you can make better use of existing storage space, down to the last centimetre.

#### OPX-L 16

High manoeuvrability when transporting two pallets

Back-friendly picking of up to 1,600 kg

Pallets can be lifted length- or crossways thanks to short support arms and long forks



The OPX-L 16 is capable of transporting two pallets simultaneously with a minimum turning circle. An ideal prerequisite for the effective use of all available storage space and highly efficient picking of goods. In combination with the innovative STILL EASY Drive steering wheel you gain better control over the full range of precise manoeuvrability

to quickly deliver two fully laden pallets to their destination. The short support arms combined with the swiveling forks add up to a further advantage: You can even stack pallets! This can be done lengthwise and crosswise up to a height of 790 mm. The OPX-L 16 is definitely a true all-rounder.

## OPX Horizontal Order Picker

### Thrillingly dynamic

---

#### OPX-L 20

Shorter picking routes to pallets to enhance picking performance and ensure back-friendly picking thanks to the special vehicle design

High driving dynamics in curves with an optimised centre of gravity

Optional raisable driver's station for order picking in the first level



What do you do when the first pallet is fully loaded? With the OPX-L 20 you simply switch round to the second pallet on board and carry on picking, always on the shortest route to the next pallet. This is how it works: You load the picker with two empty pallets. One pallet is folded vertically upwards on the back of the fork and then the second is placed next to it. You can now start loading the horizontal pallet. After that work is done, the fully loaded pallet is simply lowered and the

vehicle moved forward until the pallet reaches the fork tips. The pallet on the back of the fork is now folded down onto the free part of the fork and work continues. Comfortable, back-friendly order picking of up to 2,000 kg at variable working heights of up to 891 mm. Thanks to the vehicle's high driving stability, based on the low centre of gravity, the goods can be quickly brought to their destination even on curvy routes.

#### OPX-L 20 S

Back-friendly order picking of two pallets

Transportation of long goods

Maximised operator safety thanks to standard load guard



The OPX-L 20 S also raises job motivation - thanks to the scissor lift the best ergonomic working height can be set to match the drivers' size and loading status up to a height of 785 mm. Back-friendly working is just one aspect of this intelligent order picking vehicle: With a fork length of 2,390 mm, the OPX-L 20 S can easily handle two Euro-pallets concurrently. At the same time it is strong enough to lift a

total load of up to 2,000 kg. The long forks in combination with the STILL EASY Drive steering wheel make the innovative horizontal order picker perfect for the transportation of long goods, for example in the furniture industry. Apropos long: Its working hours are also long thanks to extra large battery capacities and the optional Li-Ion technology. The OPX-L 20 S can do long for longer.



# OPX Horizontal Order Picker

## Thrillingly dynamic

### OPX-D 20

High handling capacity when transporting non-stackable pallets of up to 2,000 kg

Compact dimensions ensure maximum manoeuvrability

Maximum safety thanks to optional intelligent LED daytime running lights



Twice as efficient: The OPX-D 20 integrates all the benefits offered by the OPX series - plus an extra pallet. The compact double-decker vehicle can transport two separately forked pallets at the same time. This is ideal for pressure-sensitive goods such as yogurt or fruit. Nonetheless, the vehicle offers unimpeded views to the front and a minimal turning circle: The OPX-D 20 carries two pallets of up to 1,000 kg above instead of behind one another.

Battery capacities of up to 620 Ah and a maximum speed of 12 km/h ensure fast working over long periods. The optional STILL Li-Ion technology even enables operations round the clock.



A variety of access control options: optional access via FleetManager or PIN code and standard access via key switch



Optional side battery changes guarantee maximised availability and best user/driver ergonomics



Generous working space - the back rest offers optimal side support when cornering

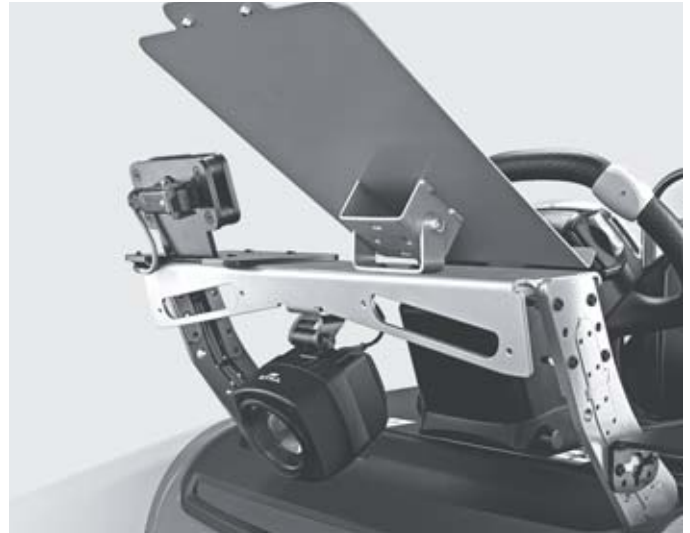


Optional foldable step for sporadic picking at first level

OPX Horizontal Order Picker  
Detailed Photos



Unique STILL EASY Drive steering wheel for best driving experience and control of all functions without changing grip



Optional STILL Safety Light for better visibility of vehicle and enhanced safety



Double-sided pedestrian mode for improved handling even during high picking densities



Maximum ergonomics due to the height-adjustable steering wheel and improved angle for individual driver preferences



Intelligent LED daytime running lights increase visibility of the vehicle and also signal low battery status



Optional folding seat for improved comfort over longer trips

OPX Horizontal Order Picker  
Thrillingly dynamic



OPX Horizontal Order Picker  
Thrillingly dynamic



## Extensive Equipment

---

### Power

---

- Powerful, reliable and low maintenance: modern three-phase motor
- Strong handling capacity: high load carrying capacities of up to 2,500 kg
- Fast goods handling: powerful acceleration and top speeds of up to 14 km/h
- Available at all times: optional lateral battery change and Li-Ion battery option enables fast, easy and trouble-free interim charging
- High picking capacity: pedestrian mode saves frequent mounting and dismounting

### Precision

---

- Intuitive control of all functions without changing grip: innovative STILL EASY Drive steering wheel
- Sensitive and safe driving characteristics: steering wheel with automatic centering
- Precision driving and picking at the first level: raisable driver's station up to gripping height of 2.8 m
- Various drive programmes: optimised vehicle behaviour for each application

### Ergonomics

---

- Effortless working: optional pneumatically-damped driver's station achieves best human vibration values
- Relief over long distances: folding seat for improved travel comfort
- Fatigue-free working: lower vehicle entry makes it easier to get on and off
- Different vehicle models with lift function to reduce load on driver thanks to back-friendly working modes at ergonomic heights
- Generous driver cabin with storage options

### Compactness

---

- High pallet handling: compact dimensions enable improved manoeuvrability
- Optimum use of storage space: optional raisable driver's station for flexible picking jobs also at first level

### Safety

---

- High safety and prevention of accidents: high visibility of the vehicle thanks to optional LED daytime running lights, Safety Light and Safety Light 4Plus
- Versatile and flexible access control using FleetManager 4.x
- High safety during cornering: cornering speed dependent control: Curve Speed Control
- Preventing impact damages: diverse collision protection options

### Environmental Responsibility

---

- Low total cost of ownership thanks to the OPX's reduced energy consumption and high handling capacities
- Long life cycle and energy-saving LED headlights
- Low energy costs on pressing a button: the efficiency mode Blue-Q saves up to 9% energy
- Minimised noise emissions: very quiet driving and lifting motor

# OPX Horizontal Order Picker Equipment Variants



	OPX 20/25	OPX 20/25 Plus	OPX-L 20	OPX-L 20 S	OP-L 12	OPX-L 16	OPX-D 20
Driver's workplace	Driver's station with narrow back rest	○	○	—	—	—	—
	Steering wheel height adjustment	○	○	○	○	○	○
	Air-cushioned stand platform	○	○	○	○	○	○
	Folding seat	○	○	○	○	○	○
	Picking step and handle	○	○	○	○	○	○
	Accessory bracket drive side - low	○	○	○	○	○	○
	Accessory bracket drive side - high	○	○	○	○	○	○
	Accessory bracket drive side - high with cross piece	○	○	○	○	○	○
	Accessory bracket load side - low	○	○	○	○	○	○
	Accessory bracket load side - high	○	○	○	○	○	○
	Accessory bracket load side - high with cross piece	○	○	○	○	○	○
	Adjustable DIN A4 writing surface	○	○	○	○	○	○
12-V power outlet	○	○	○	○	○	○	
Steering	Pedestrian mode via butterfly switch on steering wheel	○	○	○	○	○	○
	Pedestrian mode via butterfly switch on steering wheel and lateral pressure buttons	○	○	○	○	○	○
	Pedestrian mode via lateral pressure buttons on the back rest	○	○	○	○	○	○
Fork dimensions	External width b <sub>5</sub> = 520 mm	●	●	—	—	—	—
	External width b <sub>5</sub> = 540 mm	○	○	—	●	—	—
	External width b <sub>5</sub> = 560 mm	○	○	—	—	—	●
	External width b <sub>5</sub> = 570 mm	—	—	●	—	●	●
	External width b <sub>5</sub> = 670 mm	○	○	—	—	○	—
Battery system	Battery compartment 345 - 465 Ah, craneable	●	●	●	●	●	●
	Battery compartment 345 - 465 Ah, lateral change	○	○	○	○	○	○
	Battery compartment 560 - 620 Ah, craneable	○	○	○	○	○	○
	Battery compartment 560 - 620 Ah, lateral change	○	○	○	○	○	○
	Battery compartment Li-Ion battery 205 - 410 Ah, craneable/lateral change	○	○	○	○	○	○
	Adapter tray for alternative batteries	○	○	○	○	○	○
On-board charger 345 Ah/620 Ah	○	○	○	○	○	○	
Additional equipment	Fork rollers on the insidew for simple entry/exit	○	○	—	—	—	—
	Auto lift	—	—	○	—	○	○
	Rubber protection, bottom	○	○	○	○	○	○
	Steel guard on drive motor	○	○	○	○	○	○
	Steel guard, high	○	○	○	○	○	○
	Steel guard on drive motor and rubber protection at bottom	○	○	○	○	○	○
	Raisable workplace (gripping height of 2800 mm)	○	—	○	○	○	○
	Step and handle	○	○	○	○	○	○
	Refrigeration model for up to -30 °C in alternation	○	○	○	○	○	○
	Foil roller holder, drive side	○	○	○	○	○	○
	Foil roller holder, load side	○	○	—	—	—	—
	MMS prepared	○	○	○	○	○	○
	Data transmission, Bluetooth	○	○	○	○	○	○
	Data transmission, GPRS	○	○	○	○	○	○
Safety and performance	Lift with lower lock when driving (115 mm)	○	○	○	○	○	○
	Load guard with a height of 1875 mm	○	○	—	—	—	—
	Load guard with a height of 1290 mm	—	—	—	●	●	—
	Load guard with a height of 1570 mm	—	—	—	—	—	●
	Load guard with a height of 1450 mm	—	—	—	○	—	—
	Load guard with a height of 1700 mm	—	—	—	—	—	○
	Load guard with a height of 1450 mm - with pallet holder for vertical positioning	—	—	○	—	—	—
	Fork tips to stop trolleys	○	○	—	—	—	—
	Proportional raising/lowering using STILL EASY Move paddles	—	—	●	○	○	○
	Speed limit with lowered forks	○	○	○	○	○	○
Safety Light front	○	○	○	○	○	○	
Safety Light 4PLUS front	○	○	○	○	○	○	

● Standard ○ Optional — Not available

# STILL



STILL Materials Handling Ltd  
Aston Way  
Leyland Preston  
PR26 7UX  
Tel.: +44 (0)845 603 6827

STILL Materials Handling Ltd  
Jacks Way  
Hill Barton  
Business Park  
Clyst St. Mary  
Exeter  
EX5 1FG  
Tel.: +44 (0)345 603 6827

[info@still.co.uk](mailto:info@still.co.uk)

For further information please visit:

[www.still.co.uk](http://www.still.co.uk)



STILL is certified in the following areas: Quality management, occupational safety, environmental protection and energy management.



first in intralogistics