

AL 975-E - LOMBARDINI 25LD-425 DIESEL 3600 rpm | 60 Hz

**SINGLE PHASE
120 V**

TECHNICALS SPECIFICATIONS

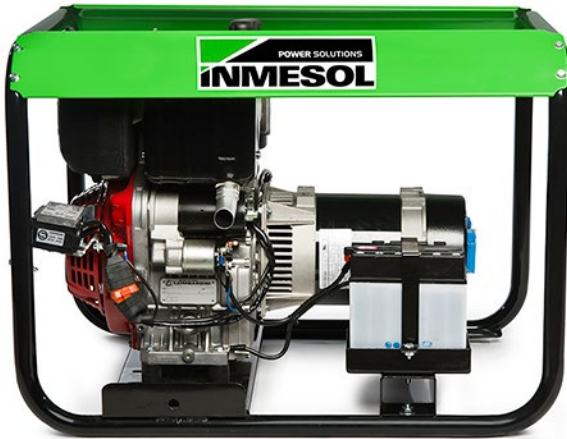


Image for guidance purposes.

Model:

AL 975

Gen set composed of engine and alternator perfectly assembled and fitted in a practical tubular chasis, that is adding great strenght and versatility.

STANDBY POWER:
(LTP "Limited Time Power" norma ISO 8528-1) **9,75 kVA**

Genset general characteristics

Standby power LTP (kVA)	9,75
Frequency (Hz)	60
R.p.m.	3600
Voltage (V)	120
(Cos ϕ)	1

ENGINE CHARACTERISTICS

MAKE	MODEL		
LOMBARDINI	25LD-425		
Mechanical effect power (kWm)	13	Start	Electric battery
No. cylinders	2	Fuel	Diesel
Displacement (cm ³)	851	Fuel tank capacity (L)	4
Diameter x stroke (mm)	85x75	Fuel consumption 100% (L/h)	4
Compresion ratio	19:1	Oil tank capacity (L)	1,8
Cooling system	Air	Oil consumption (kg/h)	0,0085
Series regulator	Mechanical	Battery V/Ah	12/19

AL 975-E - LOMBARDINI 25LD-425 DIESEL 3600 rpm | 60 Hz

**SINGLE PHASE
120 V**

ALTERNATOR CHARACTERISTICS

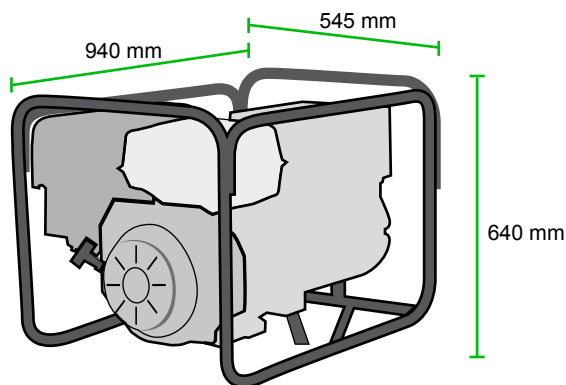
Voltage (V)	120
Frequency (Hz)	60
R.p.m.	3600
No. poles	2
Protection degree IP	21
Insulation	H

SOCKETS DESCRIPTION:

Depending on the market demand (optional)

DIMENSIONS AND WEIGHT

Lenght (mm)	940
Width (mm)	545
Height (mm)	640
Weight (kg)	135



OPTIONAL

TRANSPORT KIT