

**AL 700-E - LOMBARDINI 15LD-440 DIESEL 3600 rpm | 60 Hz**

**TRIPHASE  
220/127 V**

## TECHNICALS SPECIFICATIONS



Image for guidance purposes.

Model:

# AL 700

Gen set composed of engine and alternator perfectly assembled and fitted in a practical tubular chasis, that is adding great strenght and versatility.

**STANDBY POWER:**  
(LTP "Limited Time Power" norma ISO 8528-1) **7 kVA**

### Genset general characteristics

Standby power LTP (kVA)	7
Frequency (Hz)	60
R.p.m.	3600
Voltage (V)	220 / 127
(Cos $\phi$ )	1

## ENGINE CHARACTERISTICS

MAKE	MODEL		
<b>LOMBARDINI</b>	<b>15LD-440</b>		
Mechanical effect power (kWm)	7,5	Start	Electric battery
No. cylinders	1	Fuel	Diesel
Displacement (cm <sup>3</sup> )	441	Fuel tank capacity (L)	5
Diameter x stroke (mm)	86x76	Fuel consumption 100% (L/h)	2
Compresion ratio	20,3:1	Oil tank capacity (L)	1,5
Cooling system	Air	Oil consumption (kg/h)	0,0048
Series regulator	Mechanical	Battery V/Ah	12/19

**AL 700-E - LOMBARDINI 15LD-440 DIESEL 3600 rpm | 60 Hz**

**TRIPHASE  
220/127 V**

## ALTERNATOR CHARACTERISTICS

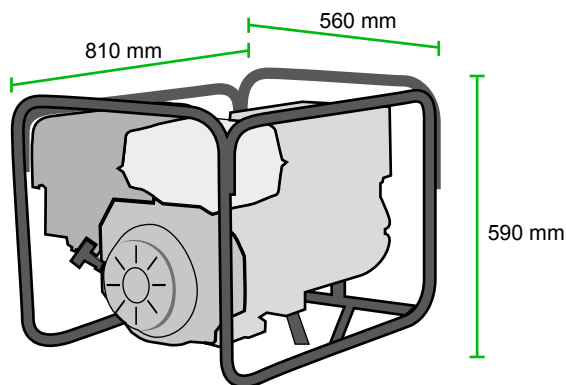
Voltage (V)	220 / 127
Frequency (Hz)	60
R.p.m.	3600
No. poles	2
Protection degree IP	21
Insulation	H

## SOCKETS DESCRIPTION:

Depending on the market demand (optional)

## DIMENSIONS AND WEIGHT

Lenght (mm)	810
Width (mm)	560
Height (mm)	590
Weight (kg)	114



## OPTIONAL

TRANSPORT KIT