

AH 900-E - HONDA GX 390/ GASOLINE 3600 rpm | 60 Hz

**TRIPHASE
220/127 V**

TECHNICALS SPECIFICATIONS



Image for guidance purposes.

Model:

AH 900

Gen set composed of engine and alternator perfectly assembled and fitted in a practical tubular chasis, that is adding great strenght and versatility.

STANDBY POWER:
(LTP "Limited Time Power" norma ISO 8528-1) **7,25 kVA**

Genset general characteristics

Standby power LTP (kVA)	7,25
Frequency (Hz)	60
R.p.m.	3600
Voltage (V)	220/127
(Cos ϕ)	0.8

ENGINE CHARACTERISTICS

MAKE	MODEL
HONDA	GX 390
Mechanical effect power (kWm)	7
No. cylinders	1
Displacement (cm ³)	389
Diameter x stroke (mm)	88x64
Compresion ratio	8,0:1
Cooling system	Air
Series regulator	Mechanical
Start	Electric battery
Fuel	Gasoline
Fuel tank capacity (L)	6,1
Fuel consumption 100% (L/h)	3,5
Oil tank capacity (L)	1,1

AH 900-E - HONDA GX 390/ GASOLINE 3600 rpm | 60 Hz

**TRIPHASE
220/127 V**

ALTERNATOR CHARACTERISTICS

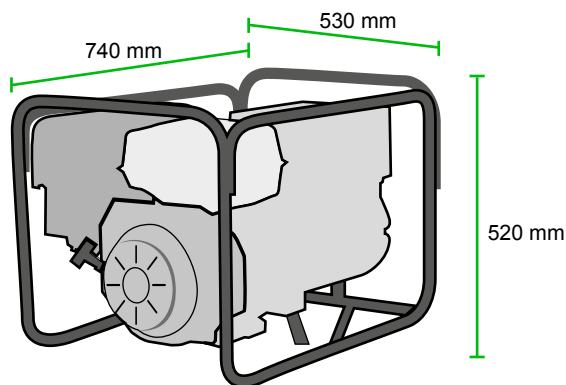
Voltage (V)	220/127
Frequency (Hz)	60
R.p.m.	3600
No. poles	2
Protection degree IP	21
Insulation	H

SOCKETS DESCRIPTION:

Depending on the market demand (optional).

DIMENSIONS AND WEIGHT

Lenght (mm)	740
Width (mm)	530
Height (mm)	520
Weight (kg)	70



OPTIONAL

TRANSPORT KIT