

AH-500-M - HONDA GX 160/ GASOLINE 3600 rpm | 60 Hz

**SINGLE PHASE
120 V**

TECHNICALS SPECIFICATIONS



Image for guidance purposes.

Model:

AH-500

Gen set composed of engine and alternator perfectly assembled and fitted in a practical tubular chasis, that is adding great strenght and versatility.

STANDBY POWER:
(LTP "Limited Time Power" norma ISO 8528-1) **4,9 kVA**

Genset general characteristics

Standby power LTP (kVA)	4,9
Frequency (Hz)	60
R.p.m.	3600
Voltage (V)	120
(Cos ø)	1

ENGINE CHARACTERISTICS

MAKE	MODEL
HONDA	GX 270
Mechanical effect power (kWm)	5,1
No. cylinders	1
Displacement (cm ³)	270
Diameter x stroke (mm)	77x58
Compresion ratio	8,2:1
Cooling system	Air
Series regulator	Mechanical
Start	Recoil Start
Fuel	Gasoline
Fuel tank capacity (L)	5,3
Fuel consumption 100% (L/h)	2,4
Oil tank capacity (L)	1,1

AH-500-M - HONDA GX 160/ GASOLINE 3600 rpm | 60 Hz

**SINGLE PHASE
120 V**

ALTERNATOR CHARACTERISTICS

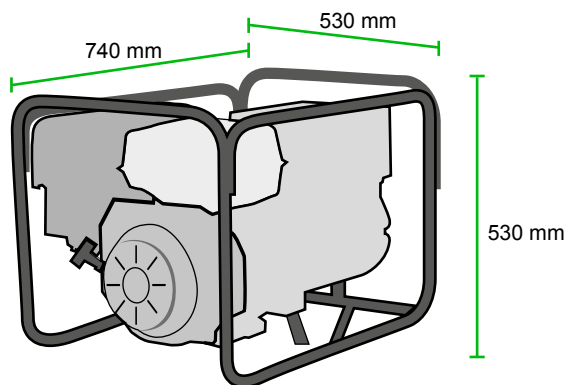
Voltage (V)	120
Frequency (Hz)	60
R.p.m.	3600
No. poles	2
Protection degree IP	21
Insulation	H

SOCKETS DESCRIPTION:

Depending on the market demand (optional).

DIMENSIONS AND WEIGHT

Lenght (mm)	740
Width (mm)	530
Height (mm)	530
Weight (kg)	72



OPTIONAL

TRANSPORT KIT