

**AH-330-M - HONDA GX 160/ GASOLINE 3600 rpm | 60 Hz**

**SINGLE PHASE  
120 V**

## TECHNICALS SPECIFICATIONS



Image for guidance purposes.

Model:

# AH-330

Gen set composed of engine and alternator perfectly assembled and fitted in a practical tubular chasis, that is adding great strenght and versatility.

**STANDBY POWER:**  
(LTP "Limited Time Power" norma ISO 8528-1) **3,3 kVA**

### Genset general characteristics

|                         |      |
|-------------------------|------|
| Standby power LTP (kVA) | 3,3  |
| Frequency (Hz)          | 60   |
| R.p.m.                  | 3600 |
| Voltage (V)             | 120  |
| (Cos ø)                 | 1    |

## ENGINE CHARACTERISTICS

| MAKE                            | MODEL         |
|---------------------------------|---------------|
| <b>HONDA</b>                    | <b>GX 200</b> |
| Mechanical effect power (kWm)   | 3,7           |
| No. cylinders                   | 1             |
| Displacement (cm <sup>3</sup> ) | 196           |
| Diameter x stroke (mm)          | 68x54         |
| Compresion ratio                | 8,5:1         |
| Cooling system                  | Air           |
| Series regulator                | Mechanical    |
| Start                           | Recoil Start  |
| Fuel                            | Gasoline      |
| Fuel tank capacity (L)          | 3,1           |
| Fuel consumption 100% (L/h)     | 1,7           |
| Oil tank capacity (L)           | 0,6           |

**AH-330-M - HONDA GX 160/ GASOLINE 3600 rpm | 60 Hz**

**SINGLE PHASE  
120 V**

## ALTERNATOR CHARACTERISTICS

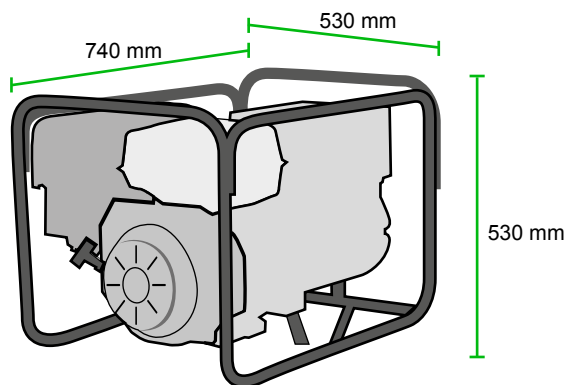
|                      |      |
|----------------------|------|
| Voltage (V)          | 120  |
| Frequency (Hz)       | 60   |
| R.p.m.               | 3600 |
| No. poles            | 2    |
| Protection degree IP | 21   |
| Insulation           | H    |

## SOCKETS DESCRIPTION:

Depending on the market demand (optional).

## DIMENSIONS AND WEIGHT

|             |     |
|-------------|-----|
| Lenght (mm) | 740 |
| Width (mm)  | 530 |
| Height (mm) | 530 |
| Weight (kg) | 72  |



## OPTIONAL

TRANSPORT KIT