

**AL 500-E - LOMBARDINI 15LD-440 DIESEL 3000 rpm | 50 Hz**

**SINGLE PHASE  
230 V**

## TECHNICALS SPECIFICATIONS

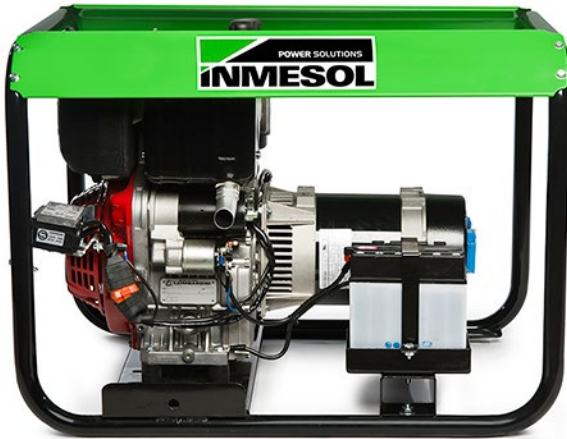


Image for guidance purposes.

Model:

# AL 500

Gen set composed of engine and alternator perfectly assembled and fitted in a practical tubular chasis, that is adding great strenght and versatility.

**STANDBY POWER:**  
(LTP "Limited Time Power" norma ISO 8528-1) **5,5 kVA**

### Genset general characteristics

|                          |      |
|--------------------------|------|
| Standby power LTP (kVA)  | 5,5  |
| Prime Power PRP (kVA/kW) | 5    |
| Frequency (Hz)           | 50   |
| R.p.m.                   | 3000 |
| Voltage (V)              | 230  |
| (Cos $\phi$ )            | 1    |

## ENGINE CHARACTERISTICS

| MAKE                            | MODEL          |                             |                  |
|---------------------------------|----------------|-----------------------------|------------------|
| <b>LOMBARDINI</b>               | <b>15LD-40</b> |                             |                  |
| Mechanical effect power (kWm)   | 6,7            | Start                       | Electric battery |
| No. cylinders                   | 1              | Fuel                        | Diesel           |
| Displacement (cm <sup>3</sup> ) | 441            | Fuel tank capacity (L)      | 5                |
| Diameter x stroke (mm)          | 86x76          | Fuel consumption 100% (L/h) | 2                |
| Compression ratio               | 20,3:1         | Oil tank capacity (L)       | 1,5              |
| Cooling system                  | Air            | Oil consumption (kg/h)      | 0,0048           |
| Series regulator                | Mechanical     | Battery V/Ah                | 12/19            |

**AL 500-E - LOMBARDINI 15LD-440 DIESEL 3000 rpm | 50 Hz**

**SINGLE PHASE  
230 V**

## ALTERNATOR CHARACTERISTICS

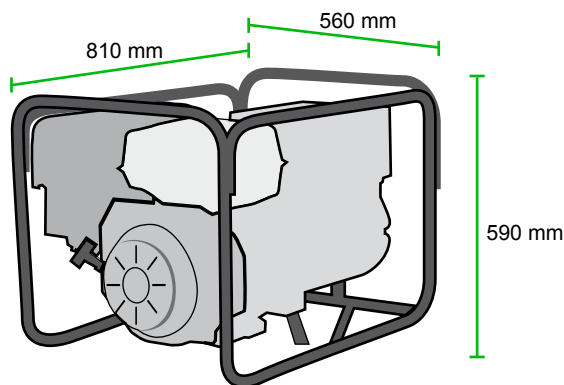
|                      |      |
|----------------------|------|
| Voltage (V)          | 230  |
| Frequency (Hz)       | 50   |
| R.p.m.               | 3000 |
| No. poles            | 2    |
| Protection degree IP | 21   |
| Insulation           | H    |

## SOCKETS DESCRIPTION:

Single phase version: 2 MONOPHASE SCHUKO SOCKETS 16A and termic protection.

## DIMENSIONS AND WEIGHT

|             |     |
|-------------|-----|
| Lenght (mm) | 810 |
| Width (mm)  | 560 |
| Height (mm) | 590 |
| Weight (kg) | 114 |



## OPTIONAL

TRANSPORT KIT