

AH 1000-E - HONDA GX 630/ GASOLINE 3000 rpm | 50 Hz

**SINGLE PHASE
230 V**

TECHNICALS SPECIFICATIONS



Image for guidance purposes.

Model:

AH 1000

Gen set composed of engine and alternator perfectly assembled and fitted in a practical tubular chasis, that is adding great strenght and versatility.

STANDBY POWER:
(LTP "Limited Time Power" norma ISO 8528-1) **10 kVA**

Genset general characteristics

Standby power LTP (kVA)	10
Frequency (Hz)	50
R.p.m.	3000
Voltage (V)	230
(Cos ø)	1

ENGINE CHARACTERISTICS

MAKE	MODEL
HONDA	GX 630
Mechanical effect power (kWm)	10,5
No. cylinders	2
Diameter x stroke (mm)	78x72
Compression ratio	9,3:1
Cooling system	Air
Series regulator	Mechanical
Start	Electric battery
Fuel	Gasoline
Fuel tank capacity (L)	16
Fuel consumption 100% (L/h)	5,7
Oil tank capacity (L)	1,9

AH 1000-E - HONDA GX 630/ GASOLINE 3000 rpm | 50 Hz

**SINGLE PHASE
230 V**

ALTERNATOR CHARACTERISTICS

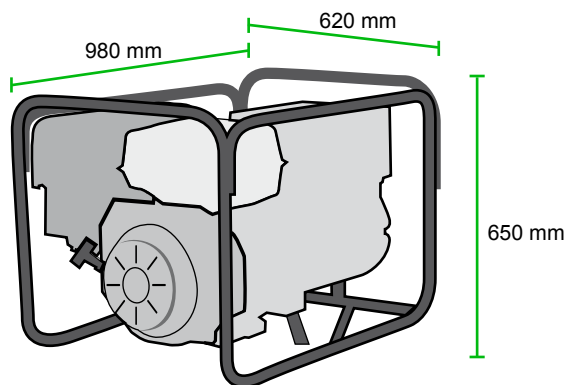
Voltage (V)	230
Frequency (Hz)	50
R.p.m.	3000
No. poles	2
Protection degree IP	21
Insulation	H

SOCKETS DESCRIPTION:

Version SINGLE PHASEe : 2 PRISES SINGLE PHASEES SCHUKO 16A et protection thermique.

DIMENSIONS AND WEIGHT

Lenght (mm)	980
Width (mm)	620
Height (mm)	650
Weight (kg)	130



OPTIONAL

TRANSPORT KIT