

AH 600-E - HONDA GX 270/ GASOLINE 3000 rpm | 50 Hz

**TRIPHASE
400/230 V**

TECHNICALS SPECIFICATIONS



Image for guidance purposes.

Model:

AH 600

Gen set composed of engine and alternator perfectly assembled and fitted in a practical tubular chasis, that is adding great strenght and versatility.

STANDBY POWER:
(LTP "Limited Time Power" norma ISO 8528-1) **6 kVA**

Genset general characteristics

Standby power LTP (kVA)	6
Frequency (Hz)	50
R.p.m.	3000
Voltage (V)	400 / 230
(Cos ø)	0.8

ENGINE CHARACTERISTICS

MAKE	MODEL
HONDA	GX 270
Mechanical effect power (kWm)	4,6
No. cylinders	1
Diameter x stroke (mm)	77x58
Compression ratio	8,2:1
Cooling system	Air
Series regulator	Mechanical
Start	Electric battery
Fuel	Gasoline
Fuel tank capacity (L)	5,3
Fuel consumption 100% (L/h)	2,3
Oil tank capacity (L)	1,1

AH 600-E - HONDA GX 270/ GASOLINE 3000 rpm | 50 Hz

**TRIPHASE
400/230 V**

ALTERNATOR CHARACTERISTICS

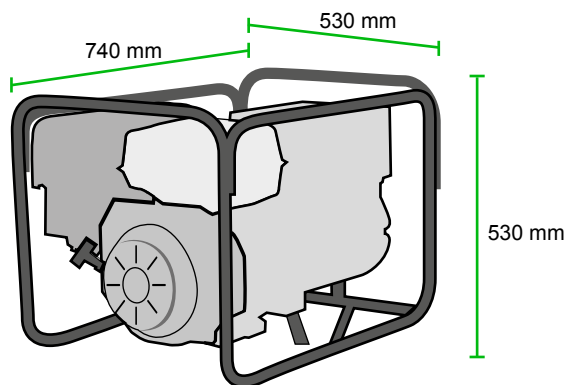
Voltage (V)	400 / 230
Frequency (Hz)	50
R.p.m.	3000
No. poles	2
Protection degree IP	21
Insulation	H

SOCKETS DESCRIPTION:

Triphase version: 1 TRIPHASE CEE SOCKET, 2 MONOPHASE SCHUKO SOCKETS 16A and termic protections.

DIMENSIONS AND WEIGHT

Lenght (mm)	740
Width (mm)	530
Height (mm)	530
Weight (kg)	74



OPTIONAL

TRANSPORT KIT