

AH 550-E - HONDA GX 270/ GASOLINE 3000 rpm | 50 Hz

**SINGLE PHASE
230 V**

TECHNICALS SPECIFICATIONS



Image for guidance purposes.

Model:

AH 550

Gen set composed of engine and alternator perfectly assembled and fitted in a practical tubular chasis, that is adding great strenght and versatility.

STANDBY POWER:
(LTP "Limited Time Power" norma ISO 8528-1) **5,5 kVA**

Genset general characteristics

Standby power LTP (kVA)	5,5
Frequency (Hz)	50
R.p.m.	3000
Voltage (V)	230
(Cos ø)	1

ENGINE CHARACTERISTICS

MAKE	MODEL
HONDA	GX 270
Mechanical effect power (kWm)	4,6
No. cylinders	1
Diameter x stroke (mm)	77x58
Compression ratio	8,2:1
Cooling system	Air
Series regulator	Mechanical
Start	Electric battery
Fuel	Gasoline
Fuel tank capacity (L)	5,3
Fuel consumption 100% (L/h)	2,3
Oil tank capacity (L)	1,1

AH 550-E - HONDA GX 270/ GASOLINE 3000 rpm | 50 Hz

**SINGLE PHASE
230 V**

ALTERNATOR CHARACTERISTICS

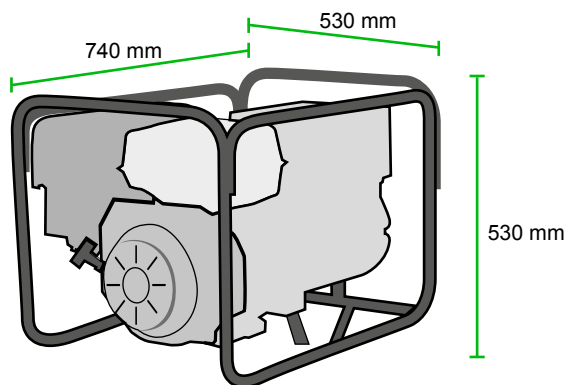
Voltage (V)	230
Frequency (Hz)	50
R.p.m.	3000
No. poles	2
Protection degree IP	21
Insulation	H

SOCKETS DESCRIPTION:

Single phase version: 2 MONOPHASE SCHUKO SOCKETS 16A and termic protection.

DIMENSIONS AND WEIGHT

Lenght (mm)	740
Width (mm)	530
Height (mm)	530
Weight (kg)	72



OPTIONAL

TRANSPORT KIT